



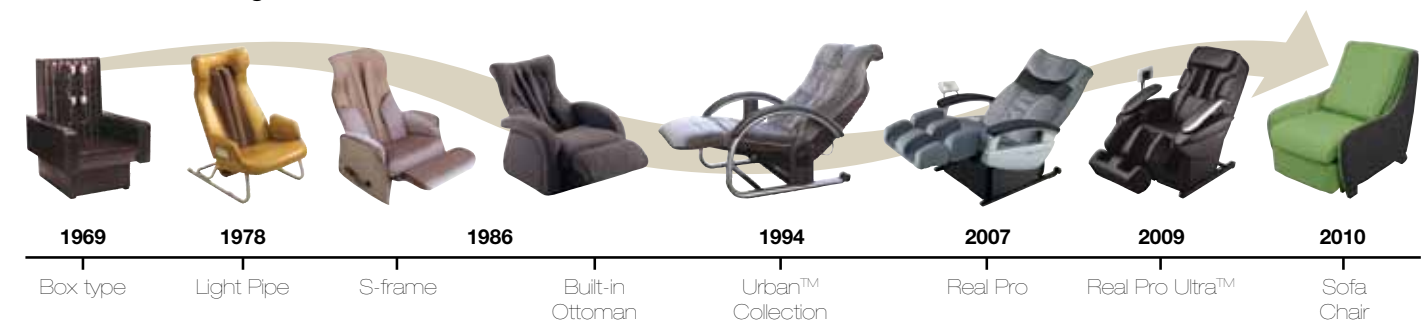
Fold-in Ottoman

Leg and foot massager folds neatly under the seat when not in use.

The massaging ottoman is neatly hidden under the chair when not in use. Pull the release strap to unlock and push down with your feet to fully deploy the ottoman.



Timeline — Massage Chairs



EP-MS40 Specifications

GENERAL FEATURES

Upper Body Massage Area	111 square inches (715 cm)
Air Massage Total Square Inches	176 square inches (1,136 cm)
4 Pre-set Programs	Full / Mini / Relaxation / Variety
2 Manual Programs	Neck, Shoulder or Lower Back, Hip Choice / Semi-Automatic
# of Massage Combinations	6
Massage Stroke	25.6 inches (65 cm)
Massage Width	1.6 - 5.9 inches (4 - 15 cm)
Massage Cycle	15 minutes
Leg Massage	Calves / Soles of Feet
Auto Body Scanning System	yes
Total Number of Air Bags	10
Electronic Height and Width Adjustment	yes
Removable Cushion	yes
Massage Strength	up to 2.4 inches (6 cm)
Shin / Calf Massage	yes
Foot / Sole Massage	yes
ACA Endorsed	yes

GENERAL FEATURES CONT'D

Automatic Shut Off	yes
Program Time Indicator	yes
Height Adjustment	yes

OTHER FEATURES AND SPECIFICATIONS

Weight	104 lb. (47 kg)
User Weight Limit	220 lbs. (100 kg)
Power Supply	AC120V 60 Hz
Power Consumption	144W
Dimensions (H x W x D) w/foot massage hidden	33.5" x 27.5" x 42.5" (85 cm x 70 cm x 108 cm)
Dimensions (H x W x D) w/foot massage deployed	33.5" x 27.5" x 58.3" (85 cm x 70 cm x 148 cm)
Color	GK Avocado / ET Latte
Upholstery	Washable Polyester
Warranty Extension	1 Part Labor; 3 Years Parts

Limited Warranty - # years parts and 1 year labor. Extended service plan is available from Panasonic Services Company at 1-800-637-2007 or 1-800-973-7935 (Florida only).

UL Approved.

*This product is designed for users of between 5.1 - 6.1 feet (155 cm - 185 cm) in height. Users who are taller than 6.1 feet (185 cm) or shorter than 5.1 (155 cm) may not be able to use the upper body and leg/foot massages simultaneously.



Panasonic is the first company to be endorsed by the American Chiropractic Association for massage chairs.



EP-MS40 Sofa Chair



PHHC PANASONIC HOME AND HEALTH COMPANY

Panasonic Home and Health Company
Division of Panasonic Corporation of North America
Panasonic Wellness Group
Executive Offices: One Panasonic Way, Secaucus, NJ 07094
(201) 348-7000

www.panasonic.com/massage

Design and specifications subject to change without notice.

Panasonic Customer Service
9 am - 9 pm (EST) Monday through Friday;
10 am - 7 pm (EST) Saturday and Sunday
1-800-211-PANA
www.panasonic.com/support
For hearing or speech impaired TTY users:
1-877-833-8855

Panasonic Massage Chairs Customer Service:
1-877-PANAFIX

Panasonic Canada
5770 Ambler Drive, 52
Mississauga, ON L4W2T3

HC10014SS

Panasonic ideas for life

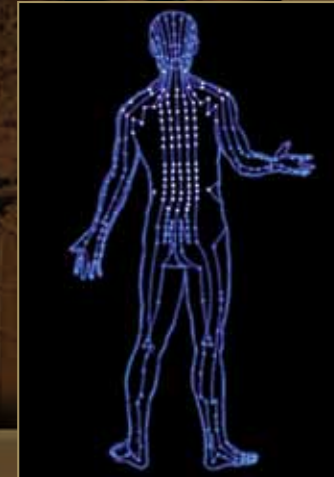
The EP-MS40 Sofa Chair



—the latest luxury massage chair from the leader in massage replication technology for over 40 years. The EP-MS40 is designed to help you achieve therapeutic muscle relaxation and increased blood flow throughout your body to promote good health. At only 33.5" (85 cm) tall and with a leg- and foot-massaging ottoman that folds seamlessly under the seat, it fits in any room yet sacrifices nothing in the way of style. The Panasonic EP-MS40—it's truly like having your very own massage therapist at home.



The Technology

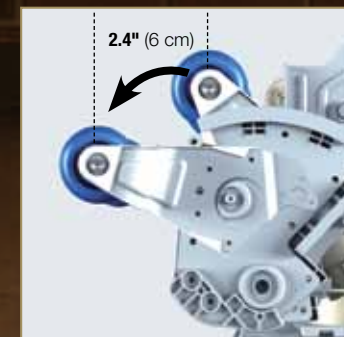
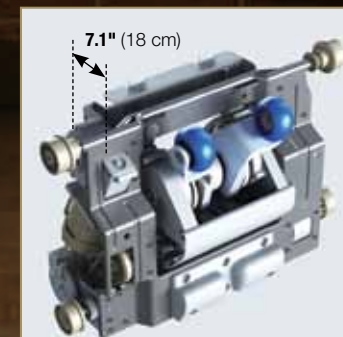


Acupoints

You have approximately 350 acupoints in your body, with nearly 100 in your back and neck. From the soothing palm style of Swedish massage, to deep tissue kneading, to Shiatsu massage, the Panasonic MS-40 Sofa Chair has a variety of techniques to target acupoints, resulting in invigorating energy.

Benefits of Panasonic Chair Massage

- Relaxes muscles
- Stimulates acupoints for increased energy flow
- Temporarily increases circulation



Compact Design—Big Massage Capability

The EP-MS40 features an ingenious, ultra-slim, 7.1" (18 cm) message block combined with an impressive, 2.4" (6 cm) message-head range. This enables slim, contemporary styling while delivering a thorough, robust and invigorating massage.



Kneading



Soft Shiatsu



Tapping

Massage Therapist Techniques

The EP-MS40 features a sophisticated massage-head mechanism that accurately simulates kneading with the palm of the hand, soft shiatsu with the thumbs and gentle tapping with the fist.

Automatic Adjustment

The EP-MS40 automatically adjusts to the height of the person seated—so whether you're tall or petite, you'll get a centered, comfortable massage.

A perfectly-balanced, soothing massage without reclining.

The secret is in the precision-engineered, 7.1" (18 cm)-wide message head and 25.6" (65 cm) curved track which allows the message block to be more precisely maneuvered in a smaller area and therefore easily conformed to your body—from your neck down to your lower back.



Intensity Control Adjustment

Both the Pre-Program and Manual Modes feature message intensity control. So you can adjust message intensity depending on your mood—soft and gentle for ultimate relaxation or a more intense, invigorating massage that stimulates blood flow and leaves you feeling refreshed.



Air Ottoman System

The EP-MS40 features a 10 airbag circulation system for a more complete, contoured lower body massage including:

Calves – kneading and loosening of the shins and calf muscles.

Feet – upward pressure is applied using four airbags for ultimate relief.



4 Pre-set Programs

- **Full Massage** Lie back and enjoy a fifteen-minute full body massage from the neck to the bottom of the feet.
- **Mini Massage** An eight-minute version of the Full Massage—for a quicker, refreshing massage.
- **Relaxation Mode** A softer, more relaxing massage featuring gentle rubbing. (15 min.)
- **Variety Mode** Features intermittent intervals of soft and more intense massage techniques—for a relaxing yet invigorating massage. (15 min.)

2 Manual Programs

- **Targeted Massage** Lets you choose a message concentrating on one of two areas of the back: neck and shoulders or lower back and hips.
- **Pinpoint Massage** A six-phase progressive massage which features kneading, compression, soft massage, tapping with kneading and tapping with compression.

Foot and Calf Massage

Stimulating, invigorating massage for the calves and soles of the feet. Select from three intensity levels.